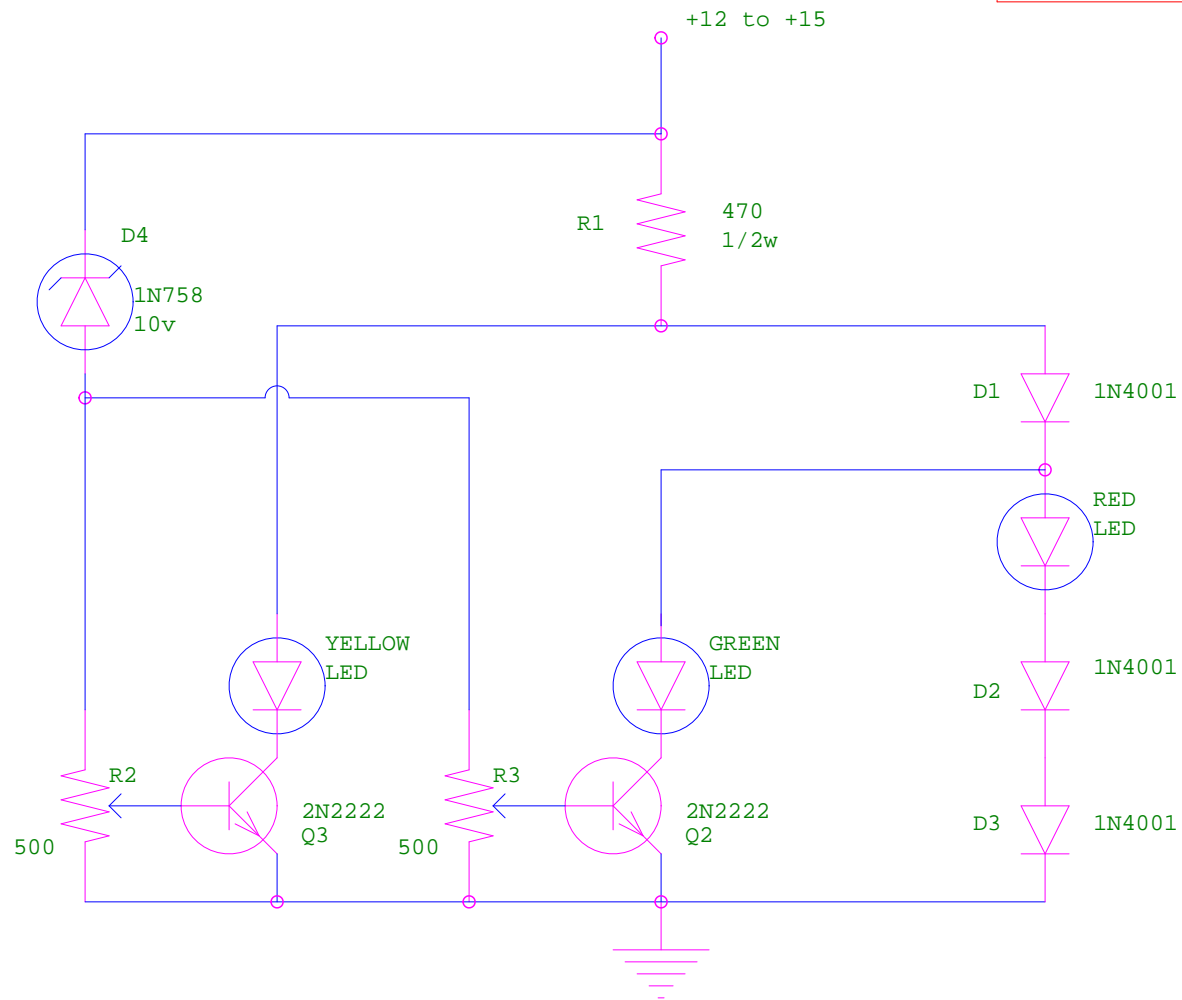


VOLTAGE ALERT



IMPORTANT: TO SIMPLIFY THE CIRCUIT AND IMPROVE THE PERFORMANCE, NO PROTECTION WAS ADDED TO D4. YOU MUST SET R2 & R3 TO GROUND BEFORE STARTING! IF THEY ARE ADJUSTED TO THE D4 SIDE, PARTS WILL SMOKE!

Adjust R3 for equal RED & GREEN at 12.5 volts.
Adjust R2 for equal YELLOW & GREEN at 14.8 volts.

DEF

Designer WLO

Draftsmen WLO

Date 07/08/91

sh 1 of 1