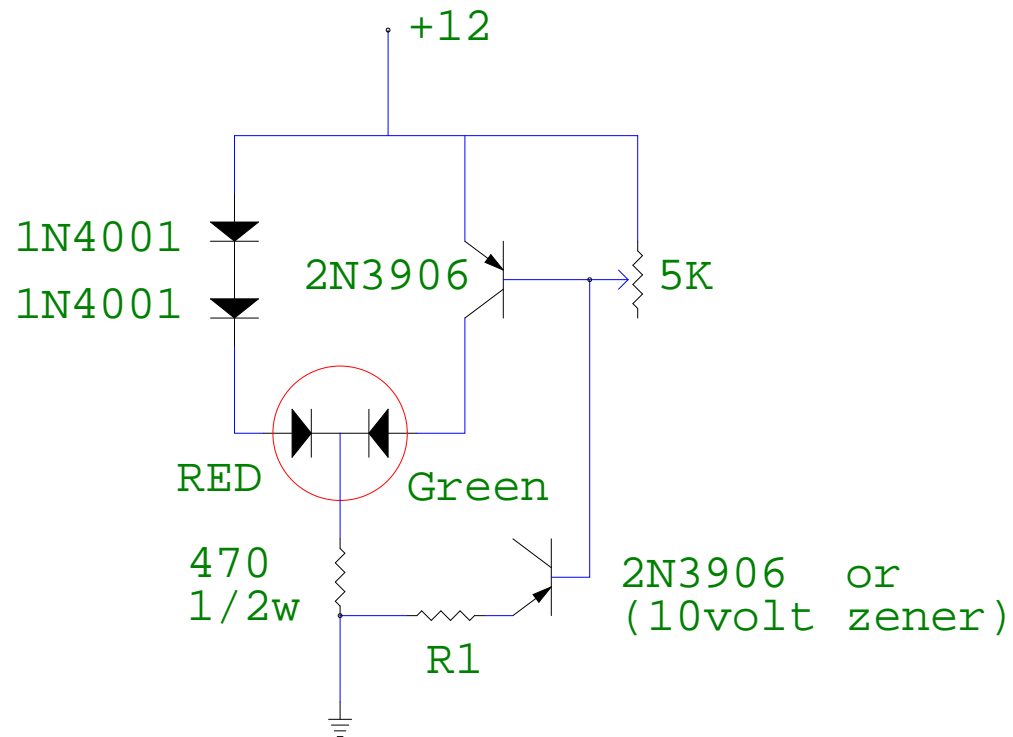


## Small Volt Alert



For about 1 volt range (from full red only to full green only), make R1 10K.  
For about .5 volt range, make R1 4.7K.  
I prefer the 1 volt range, with full red at about 12 volts (full green by about 13 volts).

If you don't have a digital meter and adjustable supply, you can still easily adjust this circuit. Simply hook it to a healthy 12 volt car/motorcycle battery that has NO load. Adjust until the green just goes out. That should be what you want.

The actual voltage values stated are approximate. But this simple device will quickly give you a good feeling about the charging system.

**DEF**

Designer WLO

Draftsmen WLO

Date 03/25/00

sh 1 of 1