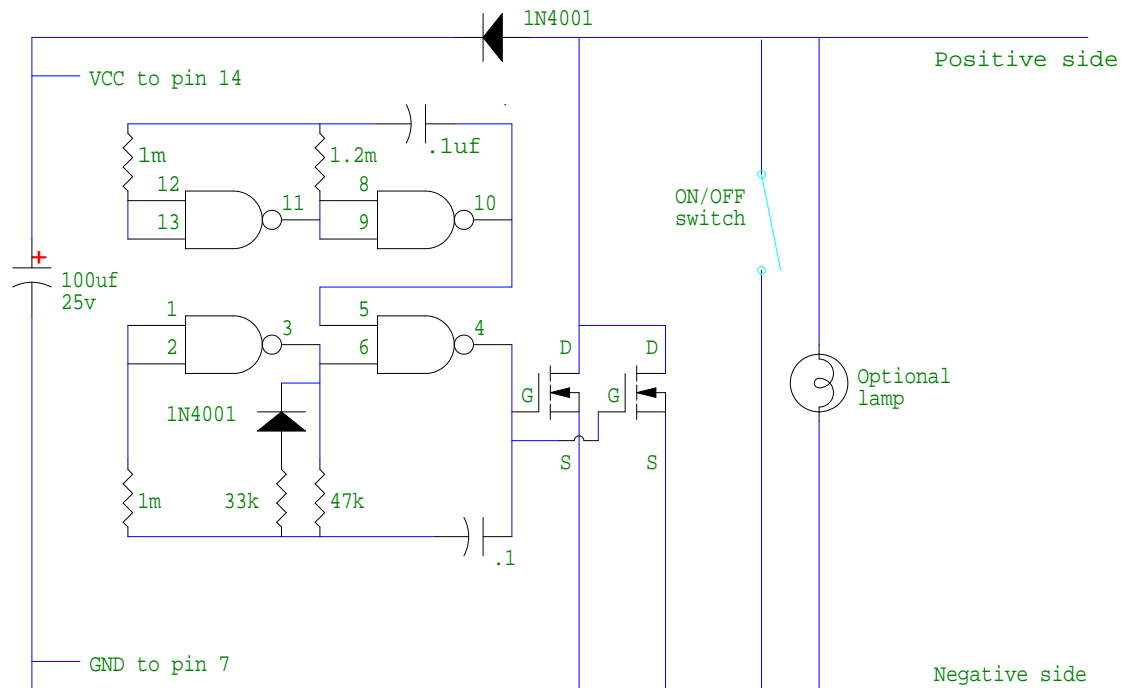


# Small modulator



4011 cmos 2 input nand gate.  
Pin 14 to VCC  
Pin 7 to VSS

Parallel two IRFZ44 or MTP50N05E  
(RDS on = .03 or less)  
for up to 80 watts.  
Parallel more to handle more power.  
(~40watts each)

This circuit is placed in series with the light bulb.  
It can be placed in the ground to handle the low &  
high beams. Or placed in the hot side of just the low  
or high beam.

Legal requirements are for you to determine.

9-8-02 - Corrected label on Mosfet

**DEF**

Designer WLO

Draftsmen WLO

Date 12/20/94

sh 1 of 1