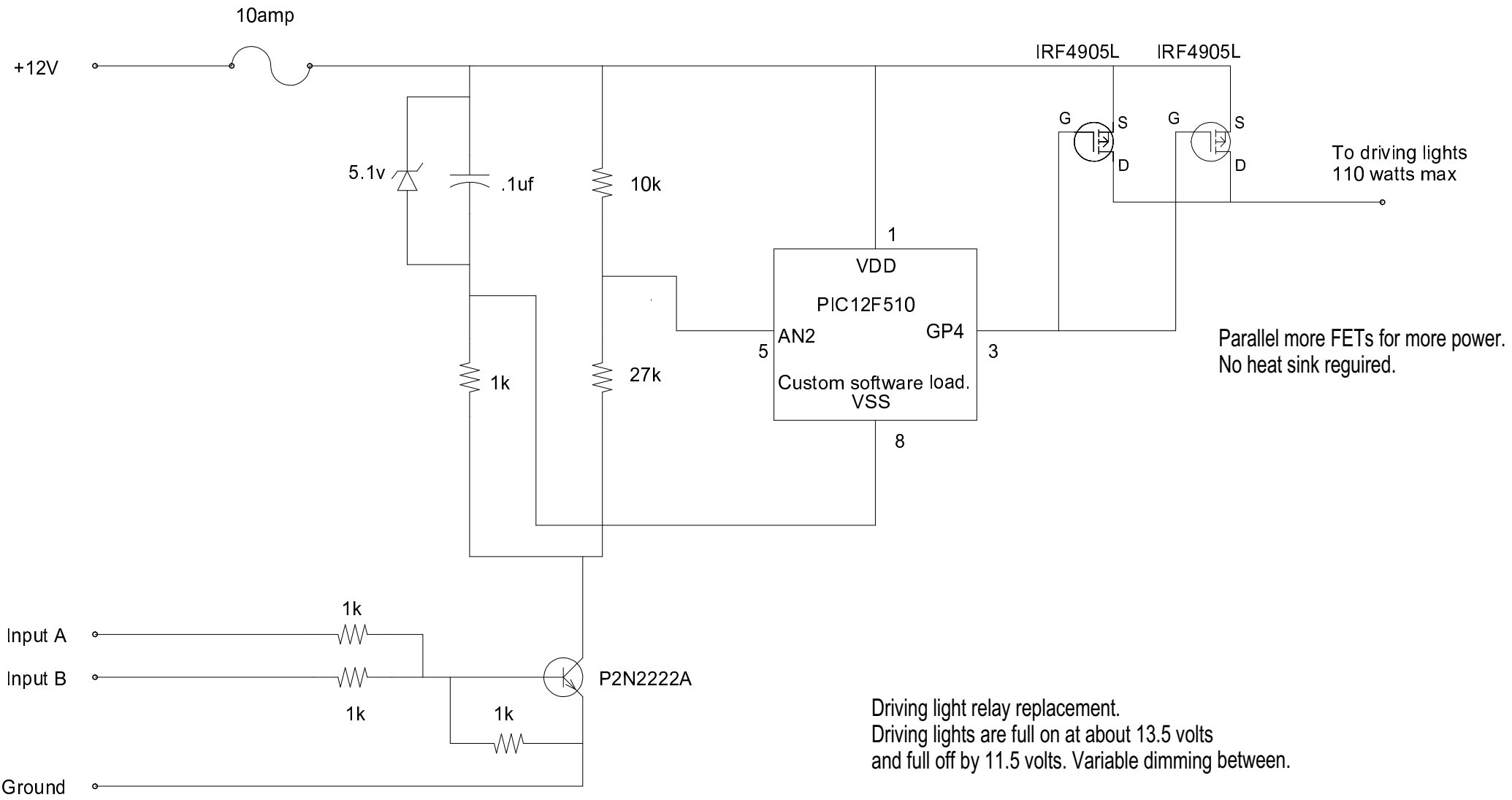


Driving Light Controller 2



All resistors 1/4 watt minimum
All caps 25 volt minimum

DEF

Designer Wayne Orwig

Draftsmen WO

Date 05/11/07

sh 1 of 1